

TECNOBOOST 5

Permanent Magnet Variable Frequency Multistage Pumps 50/60Hz

PRODUCT CATALOGUE



PRODUCT OVERVIEW

Optimum Water Pressure

Product Description

TECNOBOOST 5 is an intelligent water pump assembled with high efficiency permanent magnet motor and variable frequency converter in one smart compact design to provide constant pressure boosting for domestic, residential and light commercial water applications.

It is designed to increase water pressure from roof tank, break tank, ground tank, city mains and shallow wells.



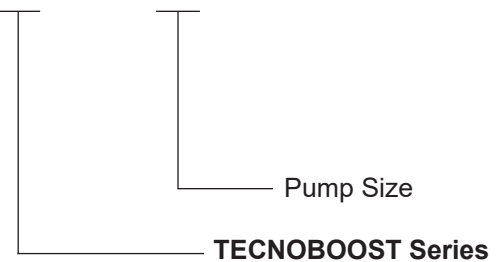
Applications

TECNOBOOST 5 is an ideal solution for boosting water pressure in:

- Single family house, apartments, villas, townhomes.
- Small residential buildings (with max. 3 floors & 10 outlets)
- Light commercial applications.

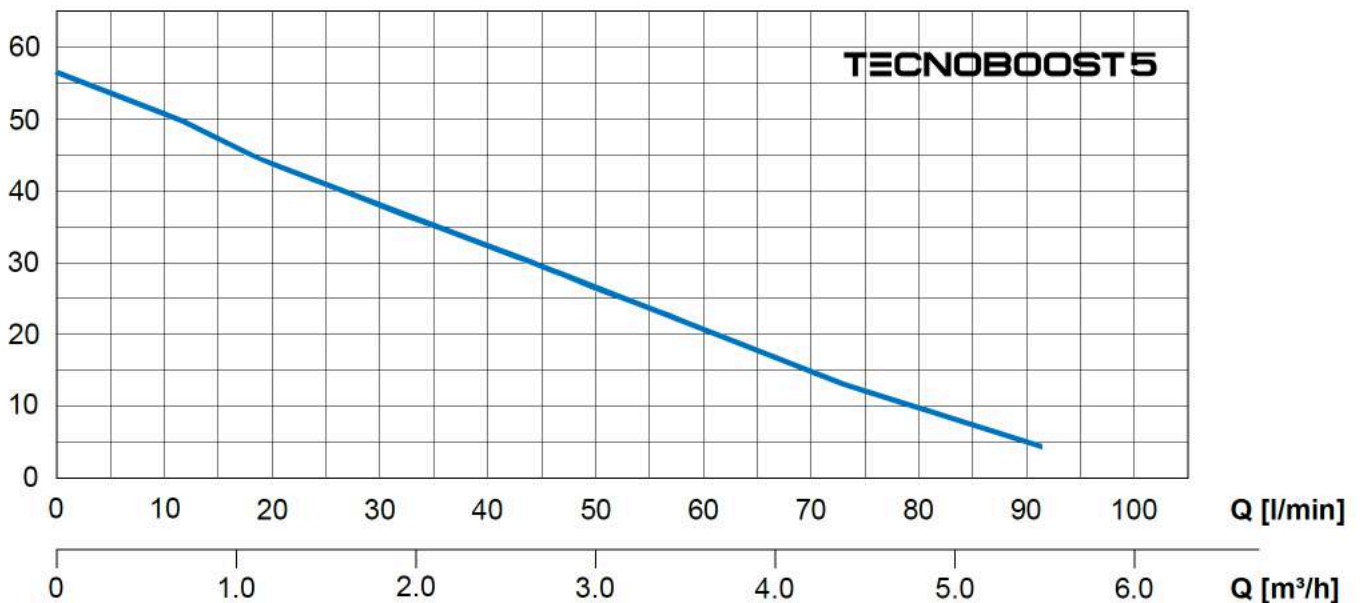
Model Description

TECNOBOOST 5



Performance Curve

H [m]



FEATURES & ADVANTAGES

Innovation is our beating heart

Key Features:

- Intelligent operation, variable speed control.
- Smart compact design makes installation possible in tight spaces.
- Low-noise operation.
- Air-cooled permanent magnet motor.
- Self-priming up to 8 m.
- Energy saving thanks to integrated inverter technology.
- Built-in pressure tank reduces the number of starts & stops.
- High quality components.
- Multiple protection including dry-run protection.
- Plug and play, quick to install.
- Easy to use LED display control panel with push buttons.

Material of Construction:

Pump body: Stainless Steel
 Impeller: PPO
 Shaft: Stainless Steel
 Mechanical seal: Carbon/Ceramic

Marking & Certification





Permanent magnet frequency conversion



Low-noise operation



Energy saving & Environment protection



Multiple protection

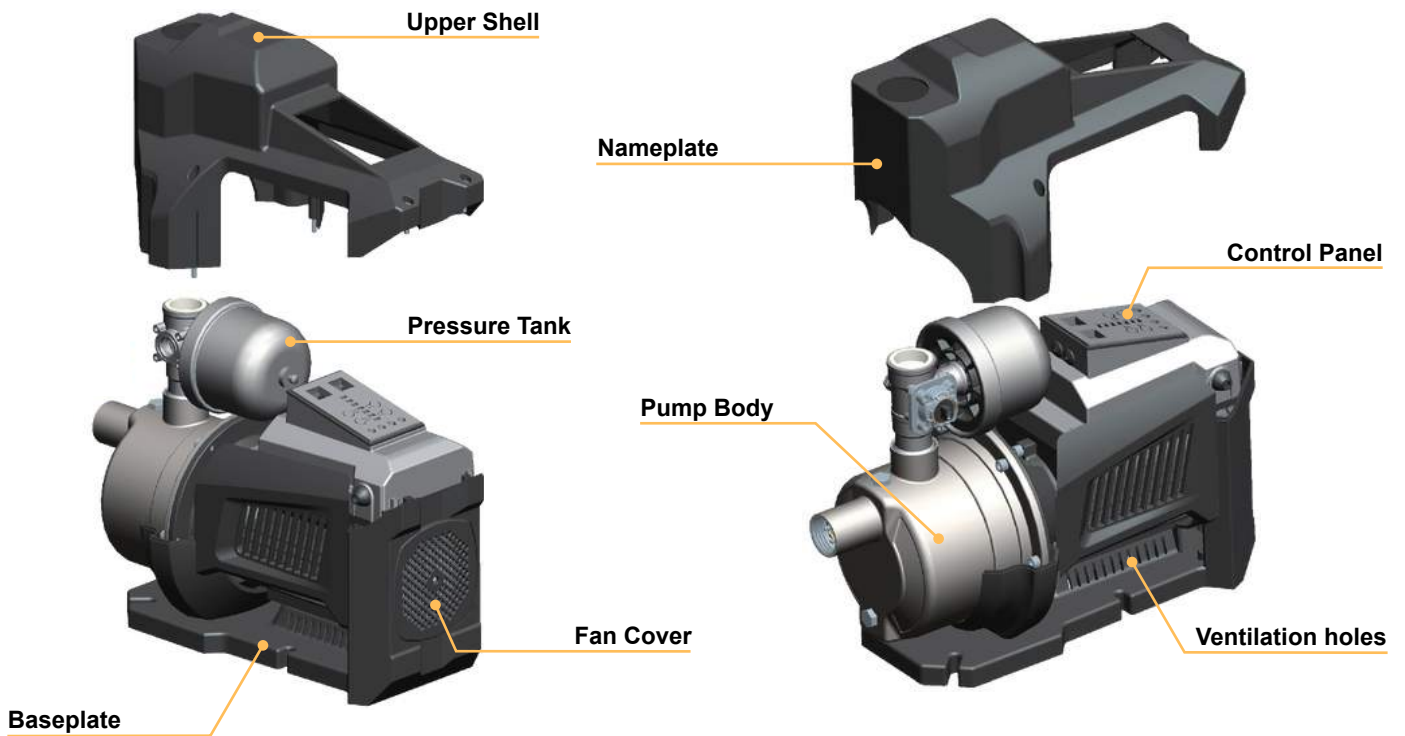


Intelligent operation



PRODUCT OVERVIEW

High Efficiency



Operating Data

Rated Input Power [W]	Max. Flow [m ³ /h]	Max. Head [m]	Rated Flow [m ³ /h]	Rated Head [m]	Max. Suction Head [m]
680	5.5	56	3	27	8

Electrical Data

Product Model	Voltage [V]	Frequency [Hz]	Rated Input Power [W]	I max [A]
TECNOBOOST 5	1 x 220~240	50 - 60	680	5.3

TECHNICAL DATA

Modern & Reliable

Technical Data

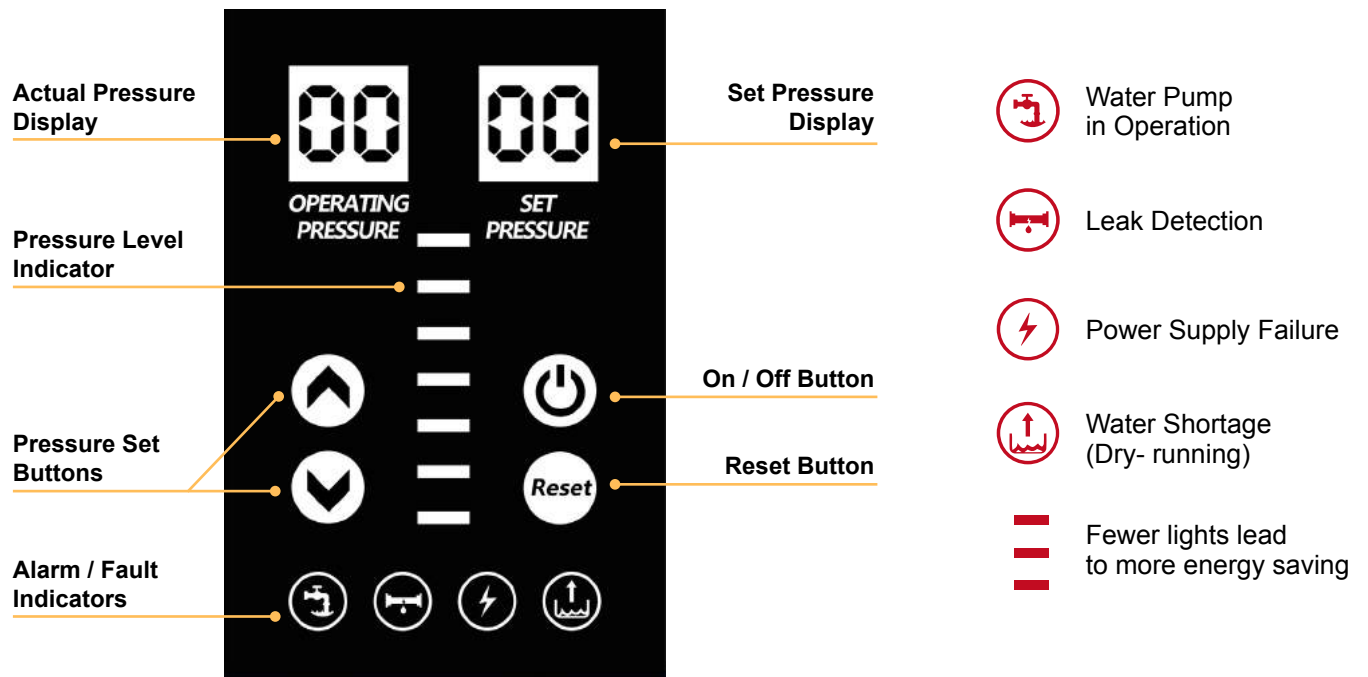
Product Model	TECNOBOOST 5
Pump type	Centrifugal, Multistage Pump
Pumped fluid	Clean Water (non-aggressive, free of solids)
Pump control	Variable Speed
Max. system pressure	10 bar
Max. inlet pressure	4 bar
Maximum suction lift	8 m
Min / Max. ambient temperature	4 °C / 55 °C
Max fluid temperature	75 °C
Noise level	≤ 52 db(A) in typical use
Protection class	IPX6
Inlet / outlet diameter	G 1" (Female)
Installation	Horizontal Installation
Power cable length	1.5 m

Motor Data

Motor	Permanent Magnet Motor
Max speed	5200 rpm
Winding	Copper
Motor duty	S1 (Continuous Operation)
Motor cooling	Air-cooled
Insulation class	F

INTELLIGENT OPERATION

Friendly user control panel

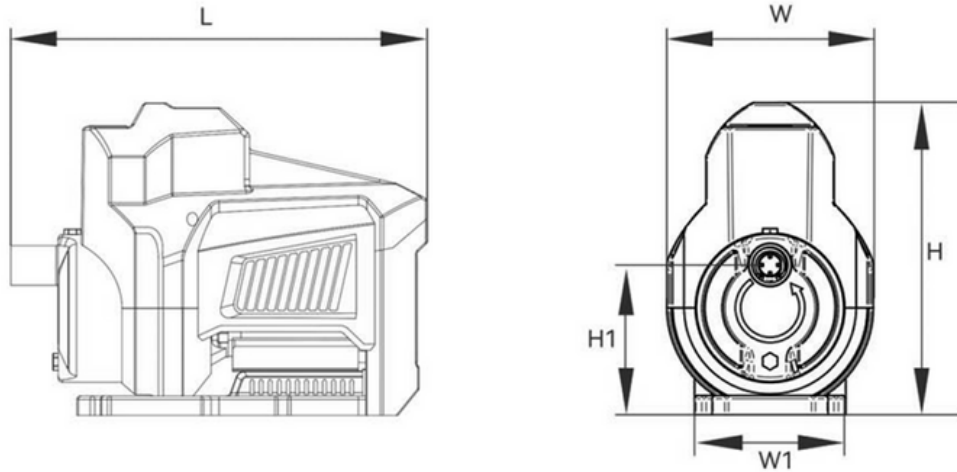


TECNOBOOST 5 monitors the water pressure in real-time and automatically adjusts it to meet the water demand. Thanks to inverter technology, the pump draws only the necessary power according to water requirements allowing considerable energy savings.



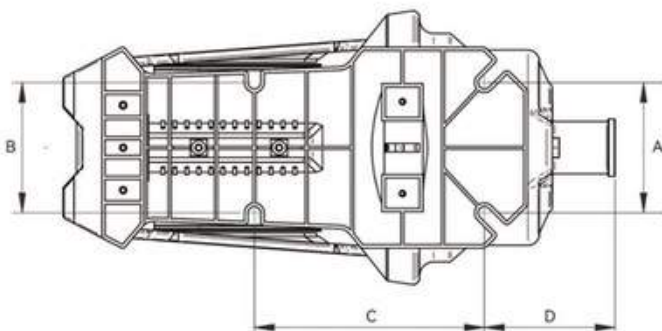
DIMENSIONAL DRAWING

Smart Compact Design



Product Model	Nominal Diameter		Length	Width		Height		Net Weight
	Inlet [mm]	Outlet [mm]	L [mm]	W [mm]	W1 [mm]	H [mm]	H1 [mm]	Kg
TECNOBOOST 5	25	25	390	194	142	290	140	8.5

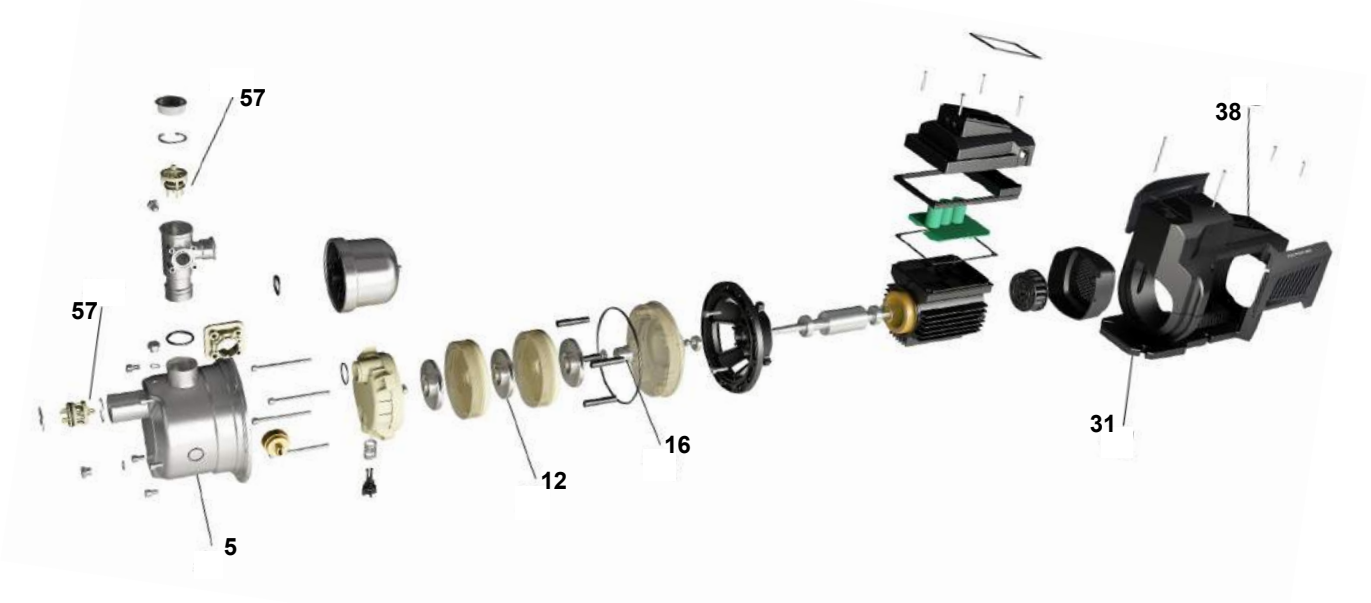
Baseplate Dimensional Drawing



A [mm]	B [mm]	C [mm]	D [mm]
92	92	162.5	92.5

EXPLODED VIEW

Main Parts

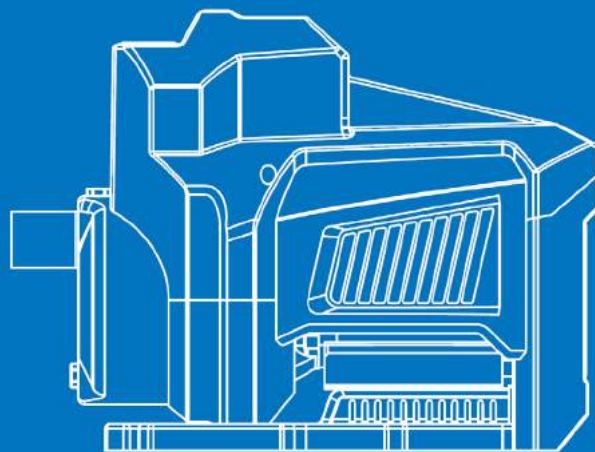


Part Number	Description	Material
5	Pump body	AISI304
12	Impeller	PPO
16	Shaft seal	Carbon/Ceramic
31	Baseplate	Composite
38	Upper shell	Composite
57	Check valves (Inlet & Outlet)	Composite

Order Information

Product Model	TECNOBOOST 5
Product Dimensions	390 x 194 x 290 mm
Packaging Dimensions	430 x 235 x 335 mm
Gross weight	10 kg
Warranty	2 Years

TECNODYNE



TECNODYNE PUMPS INC.

02 Sheppard Ave E, North York
Ontario, Canada M2N 5Y7
T: +1 (647) 255-2270
info@tecnodyne.ca
www.tecnodyne.ca

TECNODYNE (China) Ltd.

Suite C, Level 7, World Trust Tower
50 Stanley Street, Central
Hong Kong
hk@tecnodynepumps.com
www.tecnodynepumps.com